

## MT-362010/S

### 2.3-2.7 GHz 11.5 dBi Indoor Antenna Unit



#### Specifications

MTI PART NUMBER		MT - 362010/S		
<b>ELECTRICAL</b>				
FREQUENCY RANGE	2.3-2.7 GHz			
GAIN	11.5 ± 0.5 dBi			
VSWR	2 : 1 (max)			
3 dB BEAMWIDTH	AZIMUTH - 80° ELEVATION - 20° (typ)			
POLARIZATION	Vertical			
F/B RATIO	-20 dB (typ)			
INPUT IMPEDANCE	50 (ohm)			
INPUT POWER	10W (max)			
<b>MECHANICAL</b>				
DIMENSIONS (LxØ)	325x92x15mm (max)			
WEIGHT	0.6(kg) (max) without cable			
CONNECTOR	SMA Female			
AZIMUTH ADJUSTMENT	± 45°			
TILT ADJUSTMENT	± 15°			
PLASTIC MATERIALS	P.C + ABS			
OUTLINE DRAWING	See page 2			
INSTALLATION OPTION	See below			
RF CABLE ACCESSORIES	See below			
<b>ENVIRONMENTAL</b>				
TEST	STANDARD	DURATION	TEMPERATURE	NOTES
LOW TEMPERATURE	IEC 68-2-1	72 h	-20°C	-
HIGH TEMPERATURE	IEC 68-2-2	72 h	+55°C	-
TEMP. CYCLING	IEC 68-2-14	1 h	-10°C +55°C	3 Cycles
VIBRATION	IEC 60721-3-4	30 min/axis	-	4M3
SHOCK MECHANICAL	IEC 60721-3-4	-	-	4M3
HUMIDITY	ETSI EN300-2-4 T4.1E	144 h	-	50%
WATER TIGHTNESS	IEC 529	-	-	IP32
SOLAR RADIATION	ASTM G53	1000 h	-	-
FLAMMABILITY	UL94	1000 h	-	V0

#### INSTALLATION:

1. 3 Vacuum cap for window installation (Supplied with antenna).
2. Adhesive tape for window installation (Not supplied with antenna)
3. Wall installation with screws (Hardware not supplied with antenna)
4. Table position (A dummy load supplied with antenna).

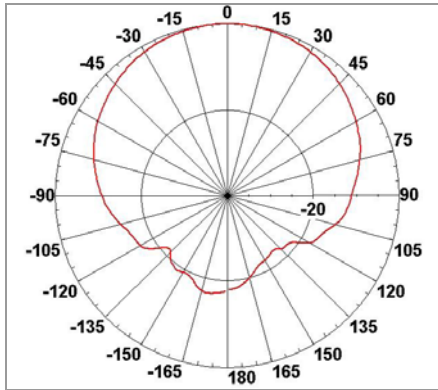
#### RF CABLE ACCESSORIES:

#	MTI P/N	Cable length	Free End connector.	Attenuation @ 2.5GHz
1	MT-850001/M/A	2 Meter	MCX male	3 dB
2	MT-850001/M/B	3 Meter	MCX male	4.5 dB
3	MT-850004/S/A	2M	SMA MALE	3 dB
4	MT-850005/S/A	2M	SMA F R.P	3 dB

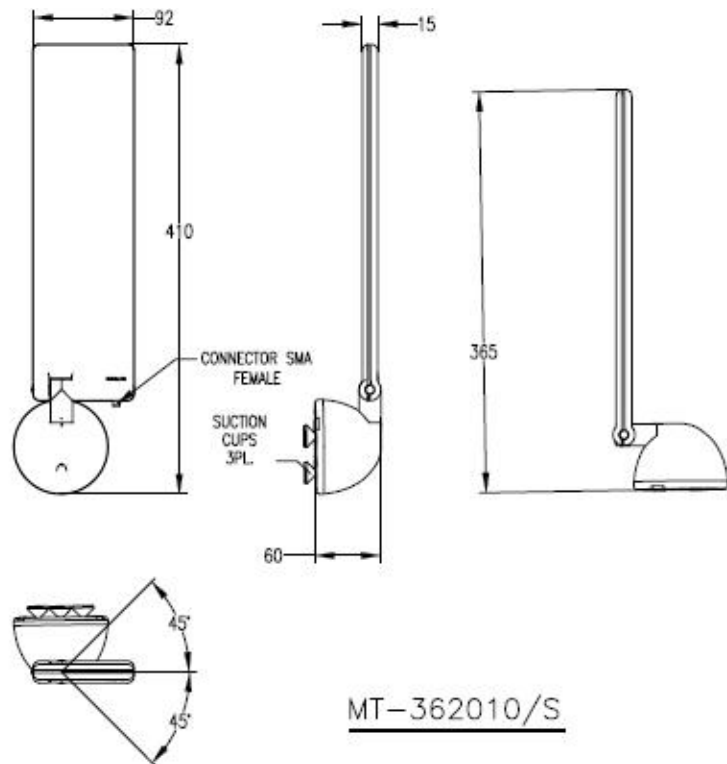
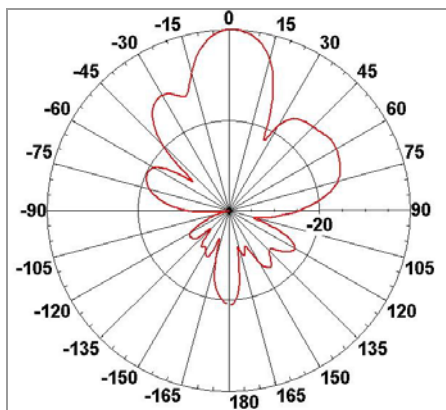
## 2.3-2.7 GHz 11.5 dBi Indoor Antenna Unit

Azimuth Radiation Pattern  
 Midband Freq. 2.4GHz

Dimensions [mm]



Elevation Radiation Pattern  
 Midband Freq. 2.4GHz



### Existing Antenna Versions


MTI Wireless Edge is certified according to ISO 9001 and ISO 14001.

**WAIVER!**

While the information contained in this document has been carefully compiled to the best of our present knowledge, it is not intended as presentation or warranty of any kind on our part regarding the fitness of the products concerned for any particular use or purpose and neither shall any statement contained herein be construed as a recommendation to infringe any industrial property rights or as a license to use any such rights. The fitness of each product for any particular purpose must be checked beforehand with our specialists.

**MTI Wireless Edge Ltd.**

11 Hamelacha St.  
 Afek Industrial Park  
 Rosh Ha'ayin 48091, Israel  
 Tel: +972-3-9008900  
 Fax: +972-3-9008901  
[www.mtiwe.com](http://www.mtiwe.com)