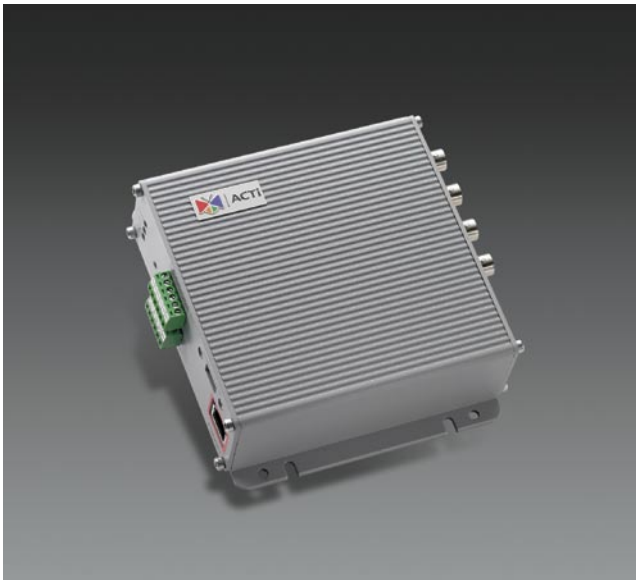


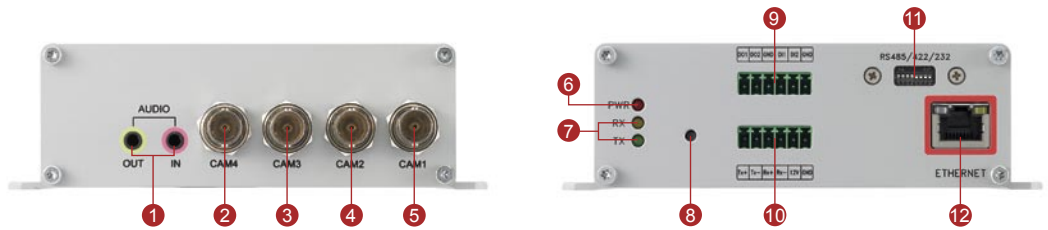


Four-channel MPEG-4 Quad Processor
Integrated Video Server with Two Way Audio

ACD-2000Q

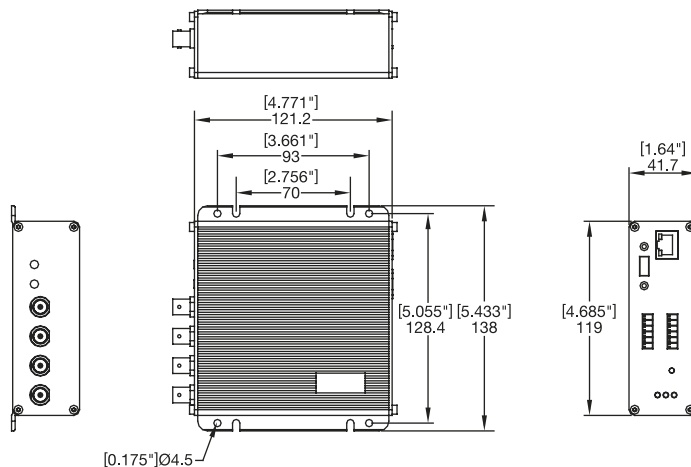


- Selectable MPEG-4 SP / MJPEG compression
- CIF up to Full D1 resolution at 30/25 FPS
- Multi-stream with variable frame rate in the same compression
- Up to 4 analog video inputs blended into one digital MPEG-4 output stream
- Real-time quad video
- Full-screen or quad image display
- Two way audio supported
- Hardware motion detection, Digital Input / Output
- Extended temperature supported (ACD-2000QT)
- Optional rackmount kit available



- | | | | |
|-------------------------|-------------------------|--------------------------|-------------------------------------|
| 1 Audio Input / Output | 4 CAM2 - Analog Input 2 | 6 Power LED | 10 Serial Port & DC 12V Power Input |
| 2 CAM4 - Analog Input 4 | 5 CAM1 - Analog Input 1 | 7 Serial Port LED | 11 Serial Port Setting |
| 3 CAM3 - Analog Input 3 | | 8 Reset Button | 12 Ethernet Port |
| | | 9 Digital Input / Output | |

DIMENSION DIAGRAM



Unit: mm [inch]



PRODUCT SPECIFICATION

Video Compression	
Compression	MPEG-4 SP, MJPEG selectable
Picture Resolution	<ul style="list-style-type: none"> • Quad Mode : Full D1 (720x480 in NTSC, 720x576 in PAL) • Sequential Mode (per channel) : Full D1 (720x480 in NTSC, 720x576 in PAL) • Single Mode (per channel) : Full D1 (720x480 in NTSC, 720x576 in PAL) CIF (352 x 240 in NTSC, 352 x 288 in PAL)
Bit Rate	28K ~ 3M bps
Image Frame Rate	<ul style="list-style-type: none"> • Quad Mode : 30 fps at full D1 resolution (NTSC) 25 fps at full D1 resolution (PAL) • Sequential Mode : 30 fps at full D1 resolution (NTSC) 25 fps at full D1 resolution (PAL) • Single Mode : 7 fps at full D1 resolution (NTSC / PAL) 15 fps at CIF resolution (NTSC) 12 fps at CIF resolution (PAL)
Multi-stream	Up to 2 configurable frame rate/bit rate streams for preview and recording
Function	
Motion Detection	Yes
Video Input	
Composite Input	4, CVBS, 1.0Vp-p with 75 Ω loading, BNC connector
Audio Input	
Compression	8 kHz, Mono, PCM
Audio Line Input	Unbalanced, 1.4 Vp-p, 1Vrms, 3.5 mm Phone Jack
Audio Output	
Compression	8 kHz, Mono, PCM
Audio Line Output	Unbalanced, 1.4 Vp-p, 1Vrms, 3.5 mm Phone Jack
Alarm	
Digital Input	2, TTL, terminal block
Digital Output	2, TTL, terminal block
Remote Control	
Serial Port	RS-485: half duplex, terminal block RS-422: full duplex, terminal block RS-232: full duplex, terminal block
External I/O	
Reset Button	Factory default
LED	System status
Network	
Ethernet Port	Ethernet (10/100 Base-T), RJ-45 connector
Protocol	TCP, UDP, HTTP, HTTPS, DHCP, PPPoE, RTP, RTSP, DNS, DDNS, NTP, ICMP, ARP, IGMP, SMTP, FTP, UPnP
Software	
Web Browser	Microsoft Internet Explorer 6.0 or above
SDK	ACTi SDK-10000
PTZ Protocol*	Pelco-D, Pelco-P V1 and V2, Dynacolor, Sony VISCA, American Dynamics
Security	Password protection: configured by the administrator
Operating	
Temperature	-10 °C ~ 50 °C (14 °F ~ 122 °F); ACD-2000Q -30 °C ~ 70 °C (-22 °F ~ 158 °F); ACD-2000QT
Power	
Power Requirement	DC 12V ± 10%
Power Consumption	5.0 W
Physical	
Dimensions (WxHxD)	119 mm x 41.7 mm x 122 mm (4.69" x 1.65" x 4.81")
Weight-Net	430 g (0.95 lb)
Approvals	
Certificate	CE, FCC

MODEL SELECTION

Model Name	Full D1	Extended Temperature
ACD-2000Q	✓	
ACD-2000QT	✓	✓

DISPLAY MODES

Display Mode	Content	Frame Rate	Resolution	Video Stream
Quad		30/25 FPS (NTSC/PAL)	D1 only	1 stream, quad view
Sequential		30/25 FPS (NTSC/PAL)	D1 only	1 stream at a time
Single		7 FPS	D1	4 independent streams
		15/12 FPS (NTSC/PAL)	CIF	4 independent streams

* These PTZ protocols are supported in ACTi NVR and Streaming Explorer