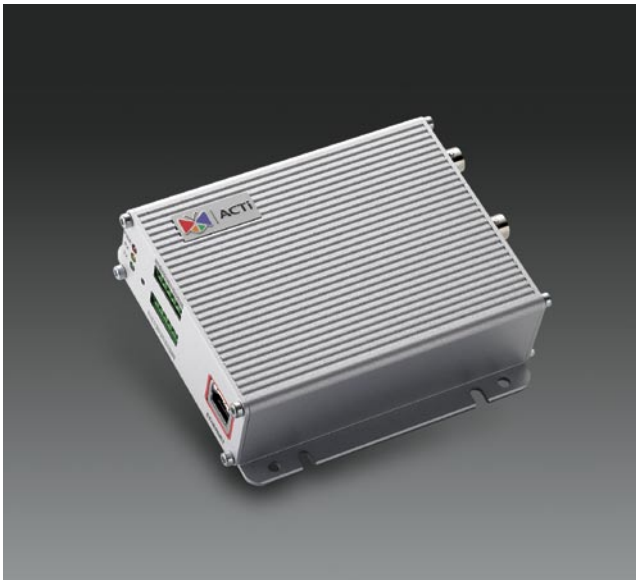


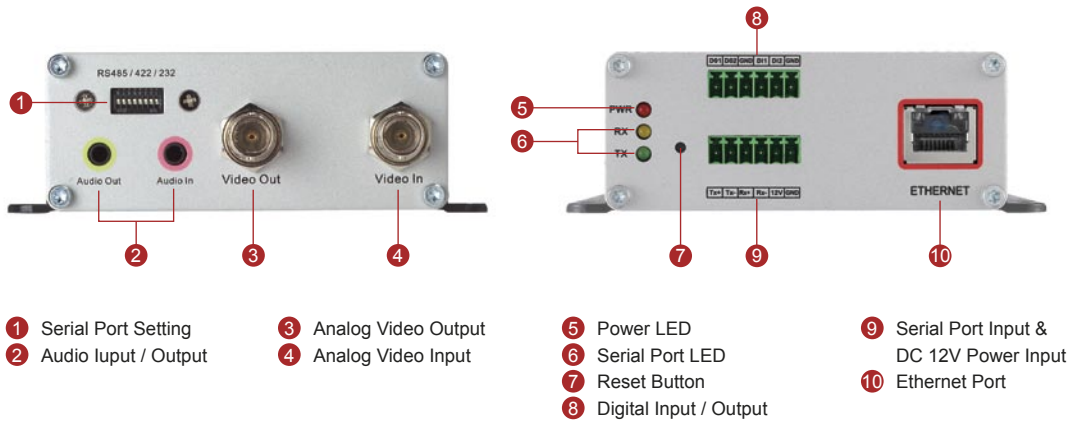


One-channel Entry-level Video Server with Two Way Audio

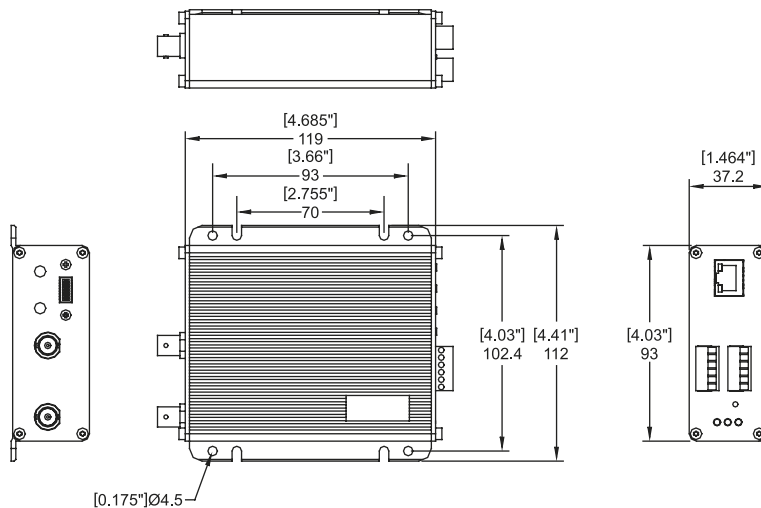
ACD-2100



- Selectable MPEG-4 SP / MJPEG compression
- CIF up to Full D1 resolution at 30/25 FPS
- Multi-stream with variable frame rate in the same compression
- Two way audio supported
- Hardware motion detection
- Hybrid analog and ethernet video output
- Extended temperature supported (ACD-2100T)
- Optional rackmount kit available



DIMENSION DIAGRAM



Unit: mm [inch]



PRODUCT SPECIFICATION

Video Compression		Remote Control	
Compression	MPEG-4 SP, MJPEG selectable	Serial Port	RS-485: half duplex, terminal block RS-422: full duplex, terminal block RS-232: full duplex, terminal block
Resolution	Full D1 (720 x 480 in NTSC, 720 x 576 in PAL) VGA (640 x 480 in NTSC, 640 x 480 in PAL) CIF (352 x 240 in NTSC, 352 x 288 in PAL) QCIF (160 x 112 in NTSC, 176 x 144 in PAL)	External I/O	
Bit Rate	28 K ~ 3 M bps	Reset Button	Factory default
Image Frame Rate	30 fps at full D1 resolution (NTSC) 25 fps at full D1 resolution (PAL)	LED	System status
Multi-stream	Up to 2 configurable frame rate/bit rate streams for preview and recording	Network	
Function		Ethernet Port	Ethernet (10/100Base-T), RJ-45 connector
Motion Detection	Yes	Protocol	TCP, UDP, HTTP, HTTPS, DHCP, PPPoE, RTP, RTSP, DNS, DDNS, NTP, ICMP, ARP, IGMP, SMTP, FTP, UPnP
Video Input		Software	
Composite Input	CVBS, 1.0Vp-p with 75 Ω loading, BNC connector	Web Browser	Microsoft Internet Explorer 6.0 or above
Video Output		SDK	ACTi SDK-10000
Composite Output	CVBS, 1.0Vp-p with 75 Ω loading, BNC connector	PTZ Protocol*	Pelco-D, Pelco-P V1 and V2, Dynacolor, Sony VISCA, American Dynamics
Audio Input		Security	Password protection : configured by the administrator
Compression	8 kHz, Mono, PCM	Operating	
Audio Line Input	Unbalanced, 1.4 Vp-p, 1 Vrms, 3.5 mm Phone Jack	Temperature	0 °C ~ 50 °C (32 °F ~ 122 °F), ACD-2100; -30 °C ~ 70 °C (-22 °F ~ 158 °F), ACD-2100T
Audio Output		Power	
Compression	8 kHz, Mono, PCM	Power Requirement	DC 12V ±10%
Audio Line Output	Unbalanced, 1.4 Vp-p, 1 Vrms, 3.5 mm Phone Jack	Power Consumption	3.8 W
Alarm		Physical	
Digital Input	2, TTL, terminal block	Dimensions (WxHxD)	112 mm x 37.2 mm x 119 mm (4.41" x 1.46" x 4.68")
Digital Output	2, TTL, terminal block	Weight	350 g (0.66 lb)
		Approvals	
		Certificate	CE, FCC

MODEL SELECTION

Model Name	Full D1	Extended Temperature
ACD-2100	V	
ACD-2100T	V	V

* These PTZ protocols are supported in ACTi NVR and Streaming Explorer.