

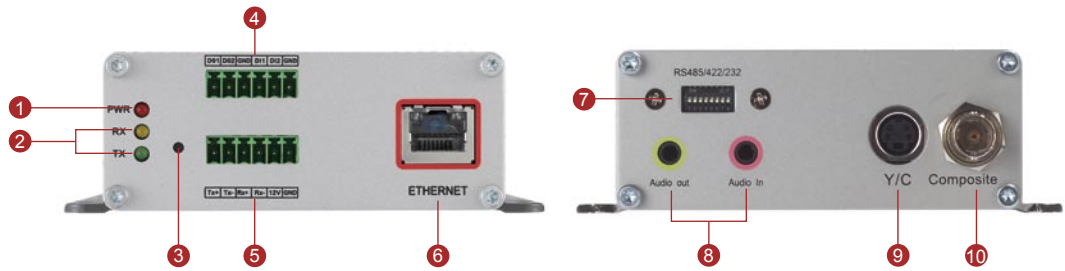


ACD-3100

Video Decoder with Two Way Audio

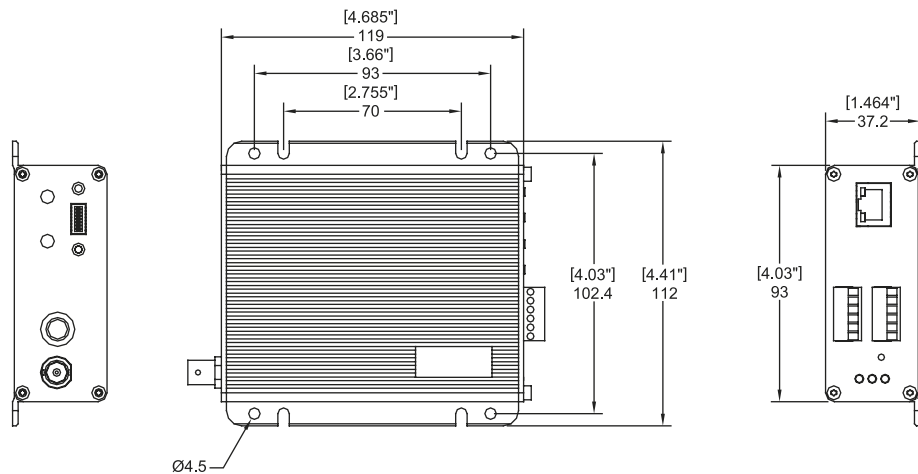


- Full D1 MPEG-4 video decoding at 30/25 FPS
- Digital time code retrieved
- Two way audio supported
- Hardware motion detection, Digital Input / Output

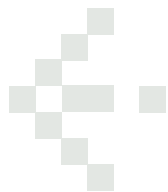


- | | | |
|--------------------------|------------------------------------|-----------------------------------|
| ① Power LED | ⑤ Serial Port & DC 12V Power Input | ⑦ Serial Port Setting |
| ② Serial Port LED | ⑥ Ethernet Port | ⑧ Audio Input / Output |
| ③ Reset Button | | ⑨ Analog Video Output (Y/C) |
| ④ Digital Input / Output | | ⑩ Analog Video Output (Composite) |

DIMENSION DIAGRAM



Unit: mm [inch]

**PRODUCT SPECIFICATION**

Video Decompression		External I/O	
Decompression	MPEG-4 ASP, SP decompression	Reset Button	Factory default
Picture Resolution	Full D1 (720 x 480 in NTSC, 720 x 576 in PAL)	LED	System status
Bit Rate	28 K ~ 3 M bps	Network	
Image Frame Rate	30 fps at full D1 resolution (NTSC); 25 fps at full D1 resolution (PAL)	Ethernet Port	Ethernet (10/100Base-T), RJ-45 connector
Video Output	CVBS, 1.0Vp-p with 75 Ω loading, BNC connector; Y/C, 1.0Vp-p with 75 Ω loading / 0.286Vp-p with 75 Ω loading, S connector	Protocol	TCP, UDP, HTTP, HTTPS, DHCP, PPPoE, RTP, RTSP, DNS, DDNS, NTP, ICMP, ARP, IGMP, SMTP, FTP, UPnP
Function		Software	
Motion Detection	Yes	Web Browser	Microsoft Internet Explorer 6.0 or above
Audio Input		SDK	URL command
Compression	8kHz, Mono, PCM	Security	Password protection: configured by the administrator
Audio Line Input	Unbalanced, 1.4 Vp-p, 1Vrms, 3.5 mm Phone Jack	Operating	
Audio Output		Temperature	0 °C ~ 50 °C (32 °F ~ 122 °F)
Compression	8kHz, Mono, PCM	Power	
Audio Line Output	Unbalanced, 1.4 Vp-p, 1Vrms, 3.5 mm Phone Jack	Power Requirement	DC 12V ±10%
Alarm		Power Consumption	3.8 W
Digital Input	2, TTL, terminal block	Physical	
Digital Output	2, TTL, terminal block	Dimensions	112 mm x 37.2 mm x 119 mm (4.41" x 1.46" x 4.68")
Remote Control		Weight	350 g (0.66 lb)
Serial Port	RS-485: half duplex, terminal block RS-422: full duplex, terminal block RS-232: full duplex, terminal block	Approvals	
		Certificate	CE, FCC