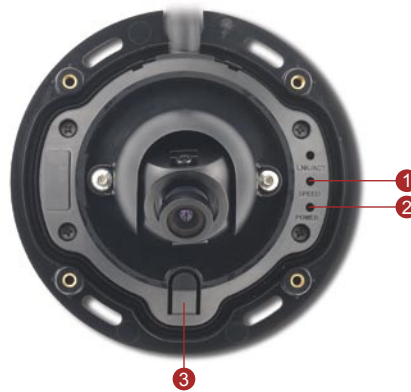




ACM-3601/ACM-3603



- 1/3" Micron Progressive Scan CMOS
- Integrated with f3.6 mm / F1.8 fixed lens
- 0.5 Lux at F1.0
- Interchangeable lenses available
- Selectable MPEG-4 SP / MJPEG compression
- VGA resolution at 30 FPS
- Multi-stream with variable frame rate in the same compression
- Shutter Speed, White Balance, Exposure , Gain Controls supported
- Hardware motion detection
- Support Power over Ethernet (IEEE 802.3af) only
- Rugged RJ-45 (ACM-3601) / Rugged M12 (ACM-3603) Ethernet connector supported
- Weatherproof and vandal proof with IP66 protection
- Compliant with Railway Application EN50155



- 1 Ethernet LED
- 2 Power LED
- 3 Reset Button

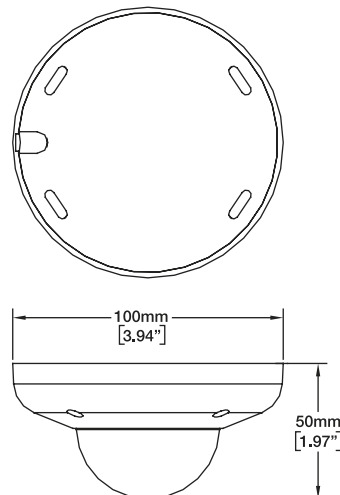


Rugged RJ-45 Connector



Rugged M12 Connector

DIMENSION DIAGRAM



Unit: mm [inch]



ACM-3601/ACM-3603

PRODUCT SPECIFICATION

		ACM-3601	ACM-3603
Image	Device	Micron Progressive Scan CMOS	
	Size	1/3 inch	
	Effective Pixels	640(H) x 480(V)	
Min. scene Illumination	Color	0.5 Lux at F1.0 (2400 °K, 30 IRE)	
Lens	Focal Length	f3.6mm / F1.8	
	Viewing Angle	72.3° (Horizontal)	
Camera Angle Adjustment	X (Panning)	± 20°	
	Y (Tilting)	0° ~ 90°	
Synchronization	Sync. System	Internal	
Functions	Motion Detection	Yes (3 Windows)	
	Electronic shutter	1/5 ~ 1/15,000 sec.	
	Fixed Shutter (Manual)	1/30 ~ 1/1,000 sec. (60Hz); 1/25 ~ 1/1,000 sec. (50Hz)	
	Flickerless	1/120 sec. (60Hz); 1/100 sec. (50Hz)	
	AGC	Automatic (User defined)	
S/N Ratio	White Balance	AUTO, INDOOR1, INDOOR2, OUTDOOR1, OUTDOOR2, HOLD CURRENT, MANUAL	
	S/N Ratio	Better than 44 dB	
Video Compression	Compression	MPEG-4 SP, MJPEG selectable	
	Picture Resolution	VGA (640 x 480); QVGA(320 x 240); QQVGA(160 x 112)	
	Bit Rate	28 K ~ 3 M bps	
	Image Frame Rate	30 fps at VGA resolution	
External I/O	Reset Button	Factory default	
	LED	System status	
Casing	IP66 Rated	Weatherproof casing with IP66 standard	
	Vandal Proof	Durability up to 722.66 KgF	
	Mount Type	Surface	
Network	Ethernet Port	Ethernet(10/100 Base-T), Rugged RJ-45 Connector	Ethernet(10/100 Base-T), Rugged M12 Connector
	Protocol	TCP, UDP, HTTP, HTTPS, DHCP, PPPoE, RTP, RTSP, DNS, DDNS, NTP, ICMP, ARP, IGMP, SMTP, FTP, UPnP	
Software	Web Browser	Microsoft Internet Explorer 6.0 or above	
	SDK	ACTi SDK-10000	
Operating	Security	Password Protection: Configured by the administrator	
	Temperature	-20 °C~50 °C (-4 °F ~ 122 °F)	
Power	Power Requirement	PoE (IEEE 802.3af) with Class 3	
	Power Consumption	2.4W	
Physical	Dimensions (Ø x H)	100 mm x 50 mm (3.94" x 1.97")	
	Weight	220g (0.48 lb)	
Approvals	Certificate	<ul style="list-style-type: none"> • CE, FCC • EN60950-1 • EN55025 • IP66 • EN50155 • ISO16750-3 : Vibration 	

ACCESSORY OPTIONS

Lens

- f6.0mm, F1.8, Board mount, Format 1/3" PLEN-0109
- f12.0mm F1.8, Board mount, Format 1/3" PLEN-0110
- f2.4mm F2.0, Board mount, Format 1/3" PLEN-0111

Dome Cover

- Transparent Cover PDCX-1002
- Smoke Cover PDCX-1102

BUNDLED ACCESSORY



- RJ-45 Field Installable Feed Through Adaptor (ACM-3601 Only)



- M12 Field Installable Feed Through Adaptor (ACM-3603 Only)