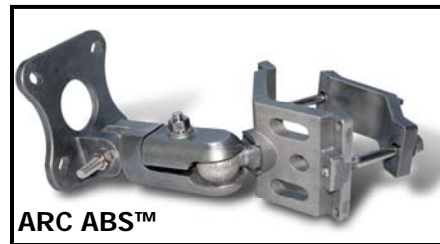


Generation II Enclosures for ARC IES™ Integrated Enclosure Solution with patent pending Universal Mounting Feature



- **ARC IES™ is a complete enclosure solution that includes the ARC ABS™ or ARC LBS brackets**
- **Quick installation with RIT, Radio Installation Tool - contact ARC for more details**
- **Numerous antenna options available (see below—sold separately)**
- **Hardware kit includes:**
 - 4 Swivel Posts and 8 screws to mount radio to enclosure
 - 1 cable gland feed-thru with gasket and nut for Ethernet connectivity
 - 3 plastic plugs with gaskets and nuts
 - 1 screw for external grounding
 - 9 screws and nuts for enclosure attachment to antenna



Enclosure Specs	
Enclosure Part Number	ARC-IE2000K01, ARC-IE2002K01, ARC-IE2010K01 and ARC-IE2012K01
Outer Dimensions Length x Width x Depth	8.6in x 8.6in x 3.17in (21.8cm x 21.8cm x 8.1cm)
Inner Dimensions Length x Width x Depth	7.47in x 7.47in x 2.5in (19.0cm x 19.0cm x 6.4cm)
Exterior Coating	Powder coated, die cast aluminum, light gray, textured
Wind Survivability	125mph (201kph)
Wind Load	.52ft ² (.048m ²) <small>*Wind Load displayed is for enclosure with cover plate attached. See antenna data sheets for wind load with antenna attached.</small>
Operating Temperature Range	-40 to 185 °F (-40 to +85 °C)

ARC ABS™, Articulating Bracket Solution Specs	
Bracket Part Number	ARC-BR0701S01 (included when ordering ARC-IE2000K01 or ARC-IE2002K01)
Length x Width x Depth	10.59in x 4.17in x 3.54 in (26.9cm x 10.6cm x 9.0cm)
Weight	2.0lb (.91 kg)
Material	Chromated die-cast Aluminum with zinc plated steel bolts
Pole Mount Diameter Range	1.0in to 3.0in (2.5cm to 7.6cm)

Compatible Radios:

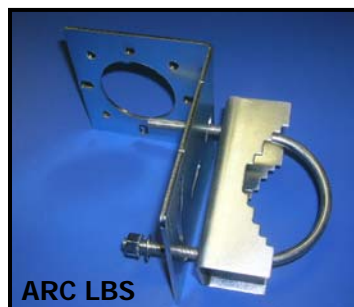
ADI	RTL
Gateworks	Ubiquiti
MikroTik	WILIGEAR
PC Engines	Zinwell

For questions regarding a specific radio please contact ARC to see if it will fit with the Gen II Enclosure.

Antenna Options:

900MHz	3.5GHz
2.4GHz	4.9GHz
2.5GHz	5.8GHz

MULTIPLE GAINS AVAILABLE.
 Check www.antennas.com for new antenna releases.

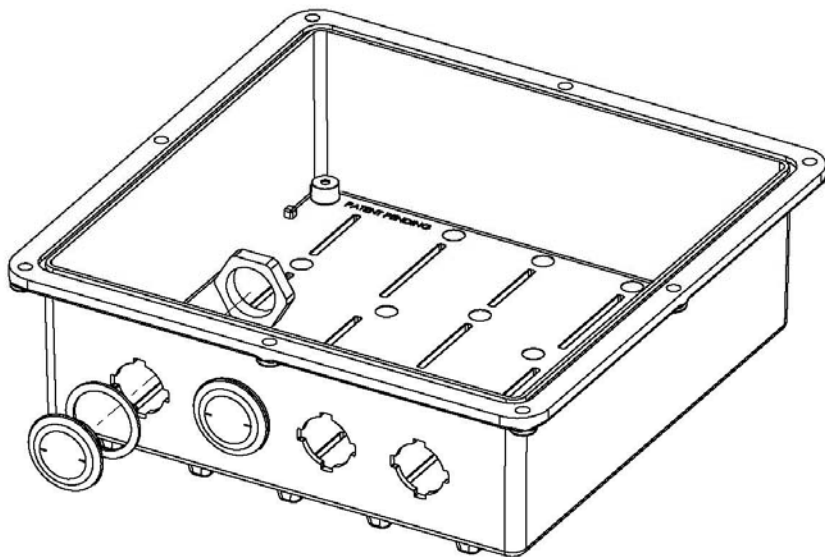
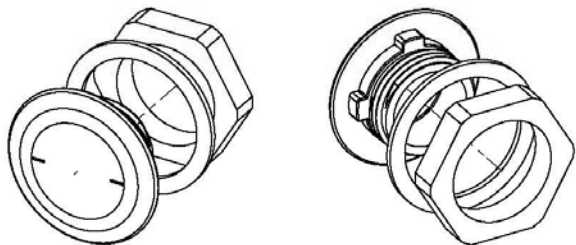


ARC LBS, L-Bracket Solution Specs	
Bracket Part Number	ARC-BR9003S01 (included when ordering ARC-IE2010K01 or ARC-IE2012K01)
Length x Width x Depth	5in x 4in x 6in (12.7cm x 10.2cm x 15.2cm)
Weight	2.0lb (.91 kg)
Material	Zinc plated steel
Pole Mount Diameter Range	1.0in to 3.0in (2.5cm to 7.6cm)

Accessory Products for ARC IES™ Generation II Enclosures

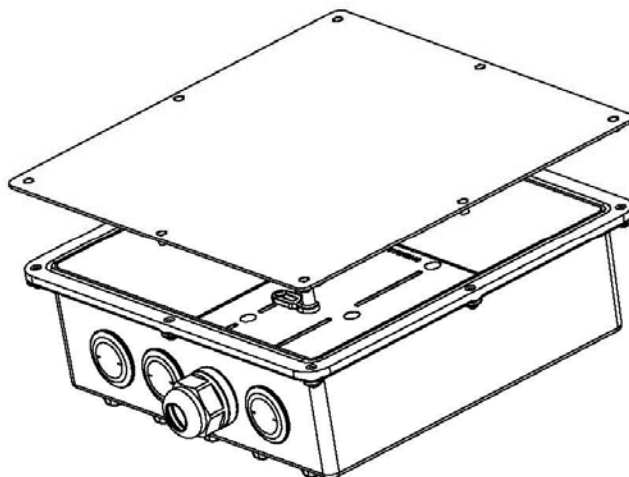
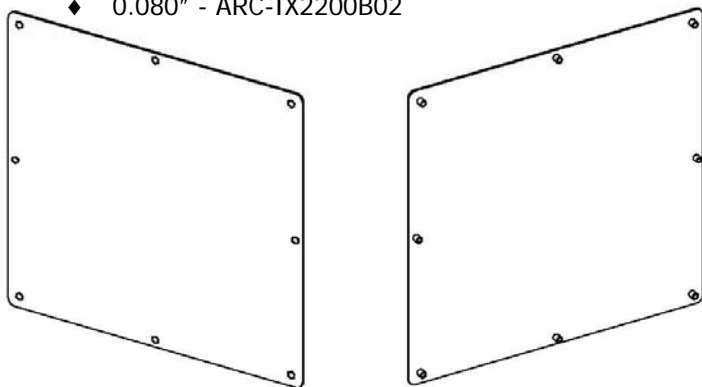
ARC-IX2100B01:

- 100 TRANSPARENT M20 PLUGS
- 100 EPDM M20 GASKETS
- 100 NYLON M20 LOCKNUTS



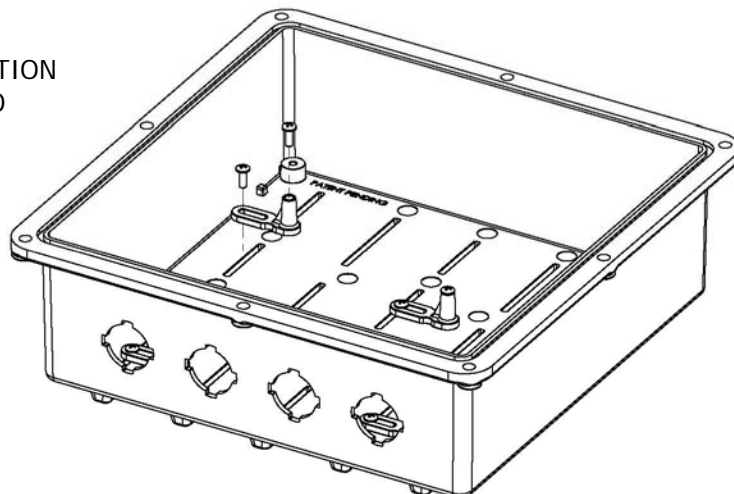
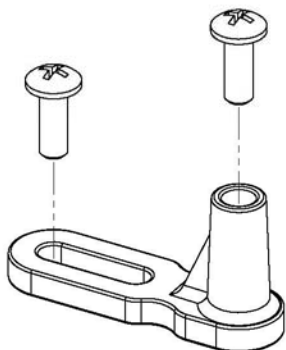
ARC-IX2200B01 & ARC-IX2200B02:

- 10 POWDER COATED ALUMINUM COVERPLATES WITH PRESSED IN STANDOFFS FOR EASY ATTACHMENT TO THE ARC IES™ GEN II ENCLOSURE
- COLOR AND TEXTURE MATCH THE ARC IES™ GEN II ENCLOSURE
- TWO THICKNESSES AVAILABLE:
 - ◆ 0.060" - ARC-IX2200B01
 - ◆ 0.080" - ARC-IX2200B02



ARC-IX2300B01:

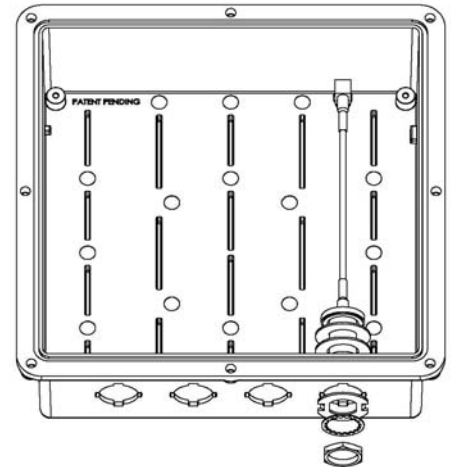
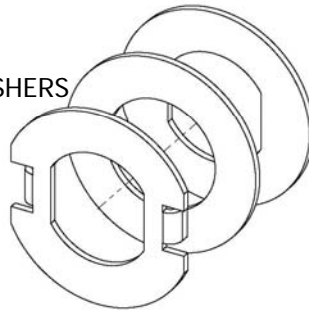
- 100 SWIVEL POST STANDOFFS FOR RADIO INSTALLATION
- 200 4-24 TYPE B SCREWS FOR STANDOFF AND RADIO INSTALLATION



Accessory Products for ARC IES™ Generation II Enclosures

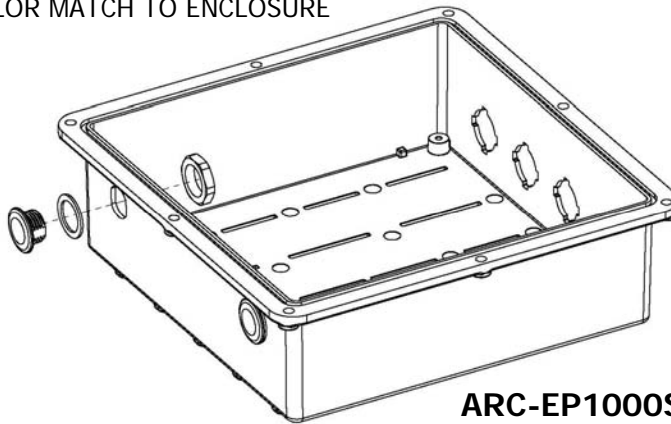
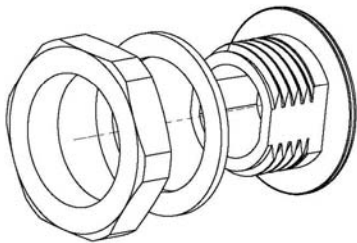
ARC-IX2502B01:

- 100 GALVANIZED STEEL N CONN WASHERS
- 100 EPDM GASKETS
- 100 GALVANIZED STEEL TABBED N CONN WASHERS



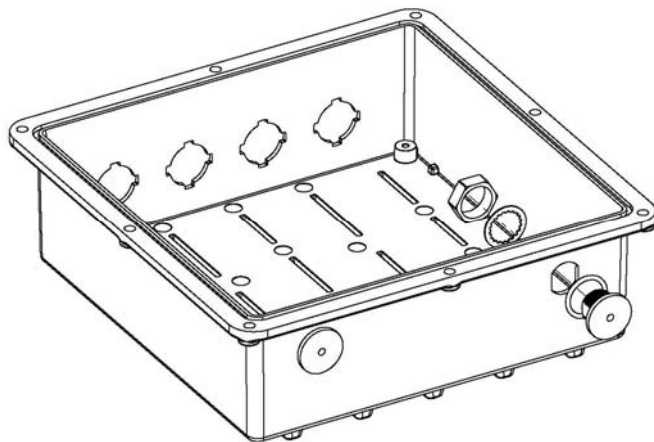
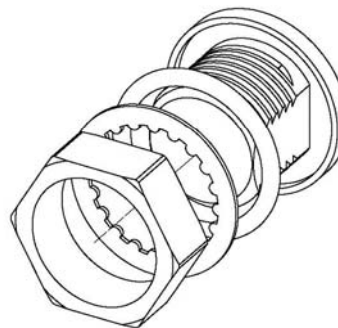
ARC-IX9010B01:

- 100 M16 N-TYPE PLUGS—COLOR MATCH TO ENCLOSURE
- 100 EPDM M16 GASKETS
- 100 NYLON M16 LOCKNUTS



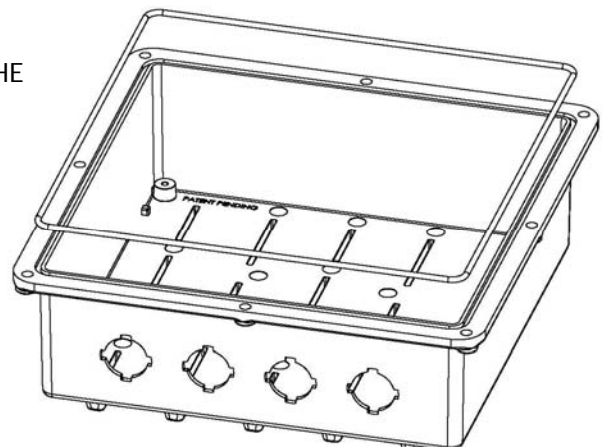
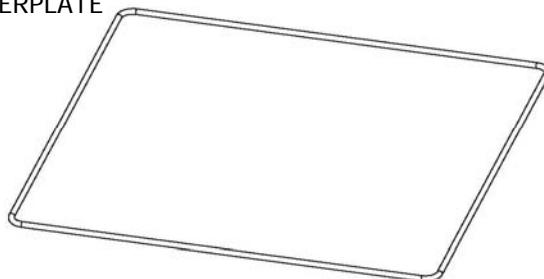
ARC-EP1000S01:

- 50 METAL M16 PLUG ASSEMBLIES
- EACH ASSEMBLY INCLUDES:
 - ◆ 1 NICKEL PLATED COPPER ALLOY M16 PLUG
 - ◆ 1 SILICONE GASKET
 - ◆ 1 NICKEL PLATED COPPER ALLOY LOCK WASHER
 - ◆ 1 NICKEL PLATED COPPER ALLOY M16 NUT



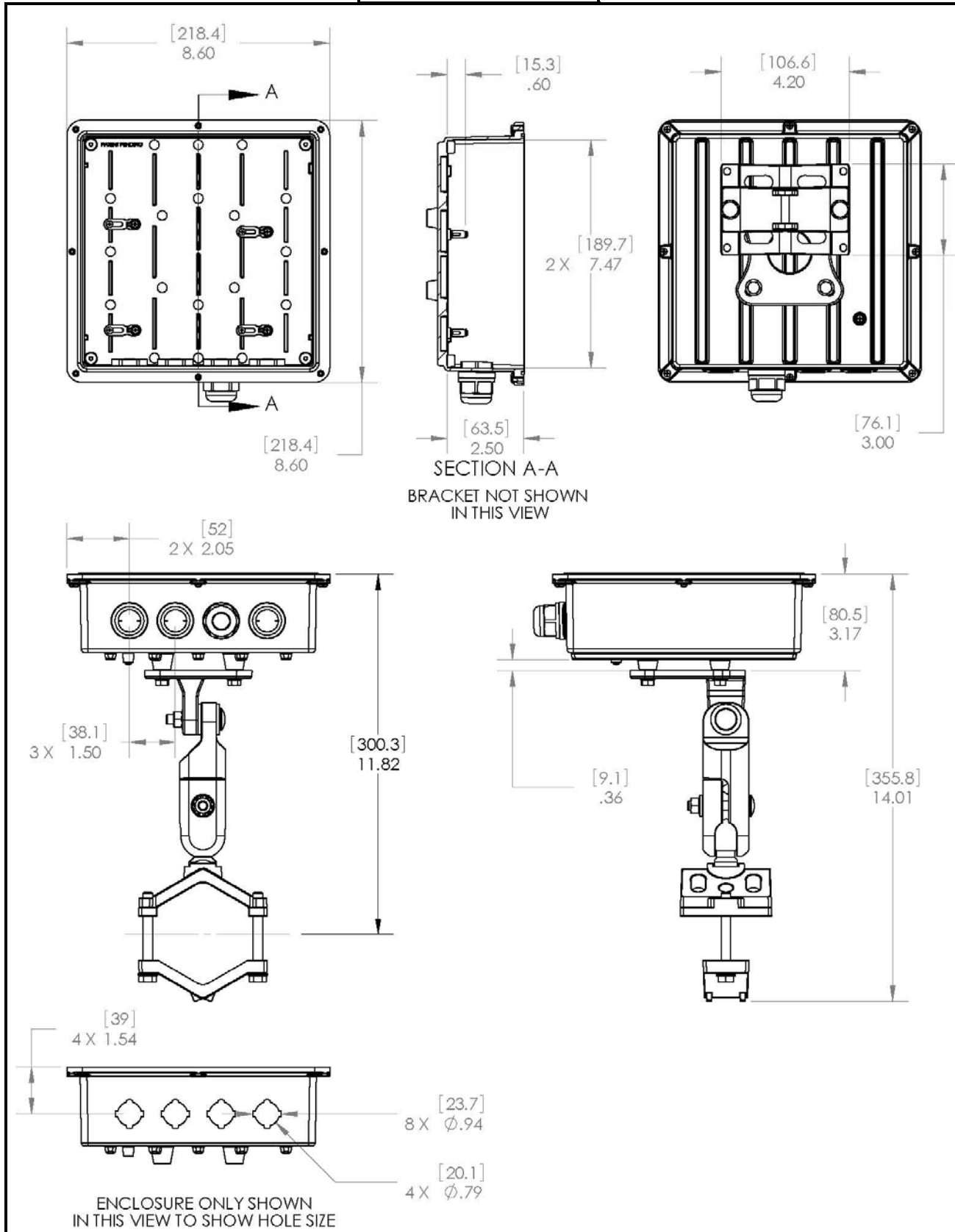
GAS-P-3038-01:

- 50 EPDM O-RING GASKETS USED TO SEAL THE ENCLOSURE TO THE ANTENNA OR COVERPLATE

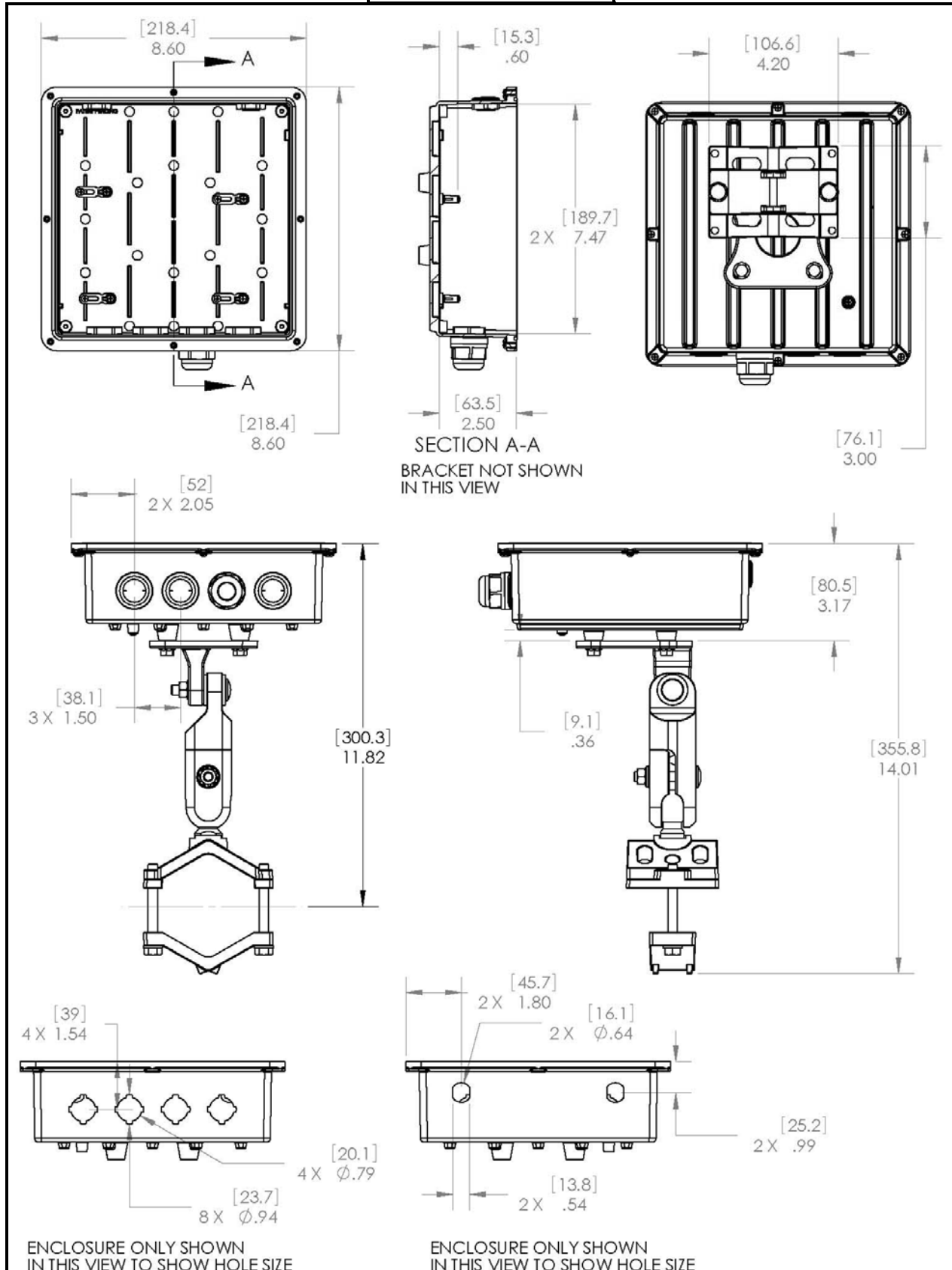


Interface Control Documents for ARC IES™ Generation II Enclosures

ARC-IE2000K01

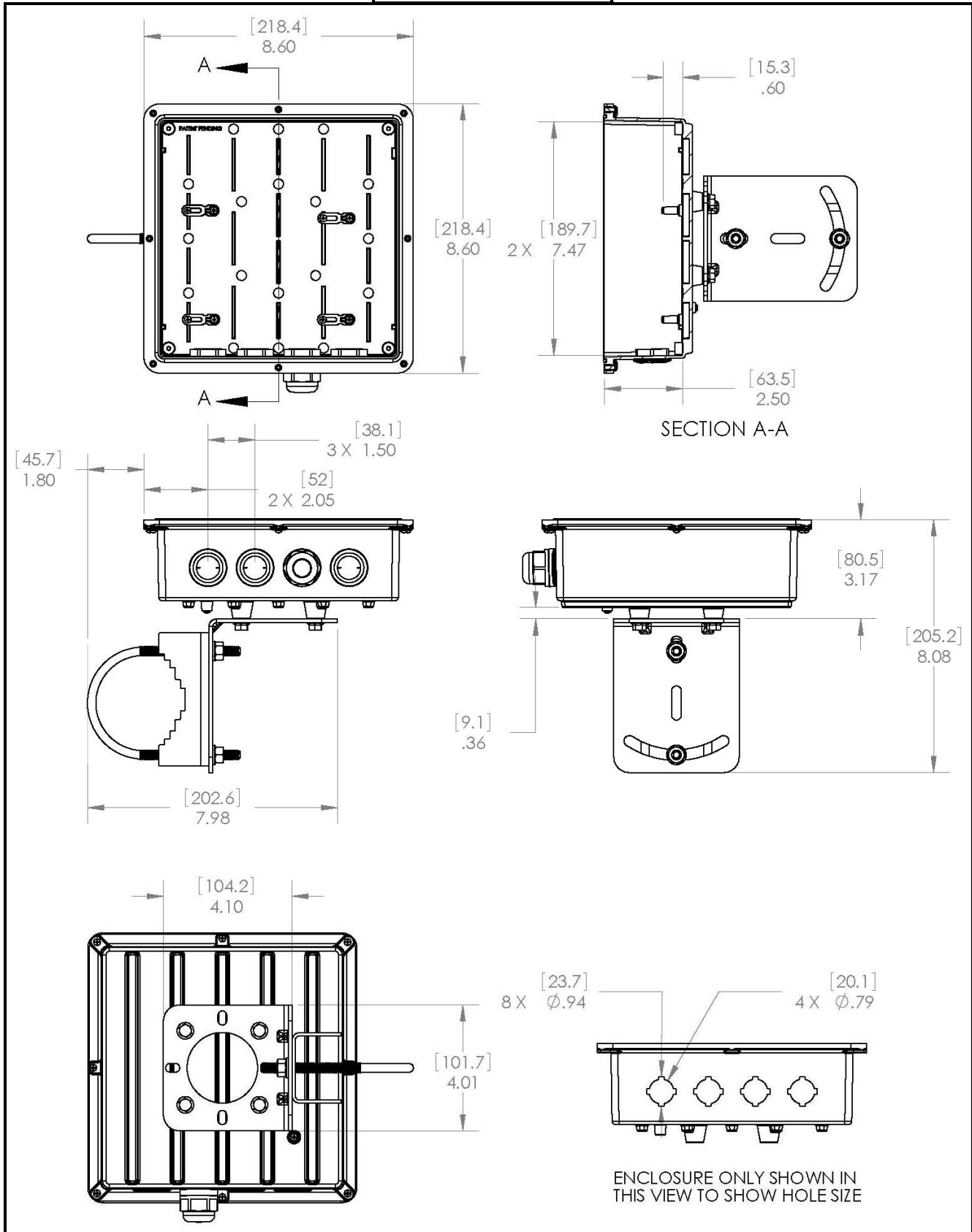


ARC-IE2002K01



Interface Control Documents for ARC IES™ Generation II Enclosures

ARC-IE2010K01



ARC-IE2012K01

