

### MAXIMUM CHARACTERISTICS

**APPLICATION:**

BULKHEAD MOUNT/ALUMINUM CONSTRUCTION  
WEATHER PROOF WHEN INSTALLED

**FREQUENCY RANGE:**

dc TO 7.0GHz

**MAX RF POWER:**

90W/CW @ 30MHz

9W/CW @ 3GHz

**VSWR:**

dc TO 3.0GHz @ <1.1 TO 1

dc TO 4.0GHz @ <1.2 TO 1

dc TO 7.0GHz @ <1.4 TO 1

**INSERTION LOSS:**

dc TO 4.0GHz @ <0.1dB

dc TO 7.0GHz @ <0.25dB

**RETURN LOSS:**

dc TO 3.0GHz @ >30dB

dc TO 4.0GHz @ >23dB

dc TO 7.0GHz @ >15dB

**DISCHARGE DEVICE CHARACTERISTICS**

**SURGE:**

20kA ONE TIME @ IEC 61000-4-5 8/20µs WAVEFORM

**IMPULSE SPARKOVER:**

500 VOLTS @ 1000V/µs

**dc SPARKOVER ±20%:**

150 VOLTS

**dc HOLDOVER:**

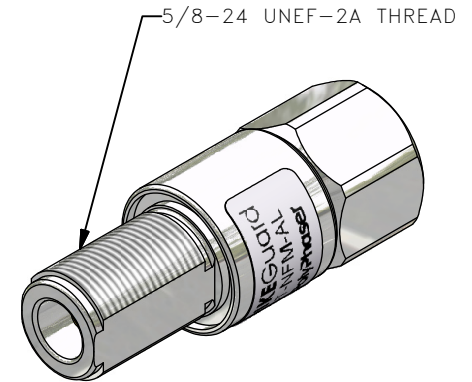
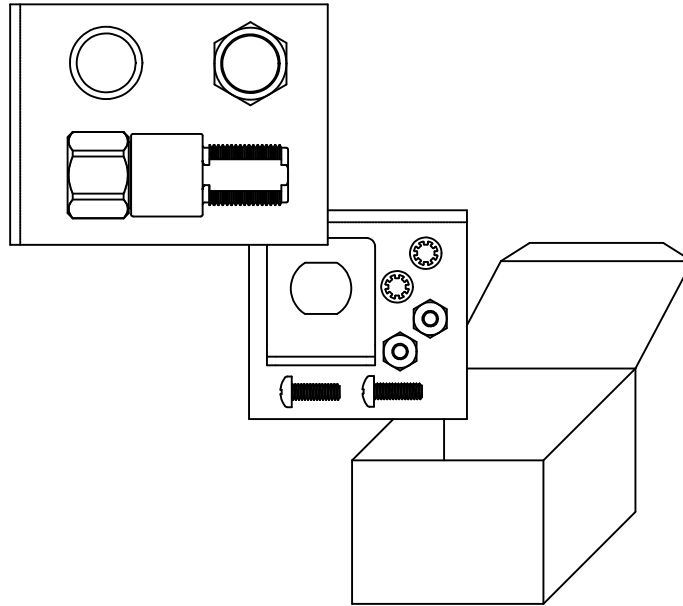
80 VOLTS @ <150ms

**MAX OPERATING CURRENT:**


10A

**TEMPERATURE:**

-55°C TO +85°C STORAGE/OPERATING



*These commodities or technology are exported from the U.S. in accordance with the Export Administration Regulations. Diversion contrary to U.S. law prohibited.*

DRAWN BY	R. SWART	DATE	11/10/06	 P.O. BOX 9000 MINDEN, NV 89423 TEL: 775.782.2511 FAX: 775.782.4476 PART NO / TITLE / DESCRIPTION <b>GT-NFM-AL</b> CUSTOMER PRINT	UNLESS OTHERWISE STATED DIMENSIONS ARE IN INCHES <b>TOLERANCES</b> SURFACE FINISH = 63µin ANGLES = ±.5° .X = ±.05 .XX = ±.03 .XXX = ±.01 .XXXX = ±.005 DO NOT SCALE DRAWING		
MECH ENG	R. DUNNING	DATE	03/06/07				
ELEC ENG	J. JONES	DATE	03/05/07				
Q.A. DEPT	L. JACQUES	DATE	03/07/07				
MKT DEPT	C. PACHECO	DATE	03/07/07				
ALL DESIGN, OPERATIVE AND PROCESS DATA PERTAINING TO THE ARTICLE SHOWN ON THIS SHEET IS THE PROPERTY OF POLYPHASER. THE INFORMATION IS NOT TO BE COPIED, REPRODUCED, REVEALED TO OR APPROPRIATED BY OTHERS WITHOUT THE WRITTEN CONSENT OF POLYPHASER CORPORATION.				SCALE	PAGE	FILE TAG	CAGE CODE
				1/1	1 OF 1	-C1	61114