



PI-CAT5

Category 5 Voltage Power Inserter

Release Note

OFFICIAL

Document Publication Date: May 30, 2001

Introduction

BreezeCOM is pleased to announce the official release of The PI-CAT5 voltage power inserter function as a power conversion device. The PI-CAT5 routes both power and data through a category 5 Ethernet cable . This enables the BreezeNET and BreezeACCESS products to be mounted remotely, for example on a ceiling or rooftop. The PI-CAT5 eliminates the need to provide network AC power to the unit in inaccessible locations, and overcomes any problems related to the power supply at the location.

Due to the freedom of locating the BreezeCOM device, the PI-CAT5 facilitates the use of shorter antenna cables, thus increasing the available signal strength at the antenna.

Product description

The PI-CAT5 voltage power inserter consists of two components:

- **The DC Link**
- **The Remote Regulator unit.**

DC Link

The DC link supplies 15 Volts DC into the two spare pairs of standard Category 5 Ethernet cable, using a power supply and a dual RJ-45 box. One RJ45 connector is used for the Data In supply, and the second RJ-45 connector is used for Data/Power Out.

Remote Regulator

The remote regulator isolates the data from the power supply and adjusts the power to the output voltage required for BreezeNET or BreezeACCESS devices and, if required, an associated power amplifier. The PI-CAT5 is available with two remote regulator options:

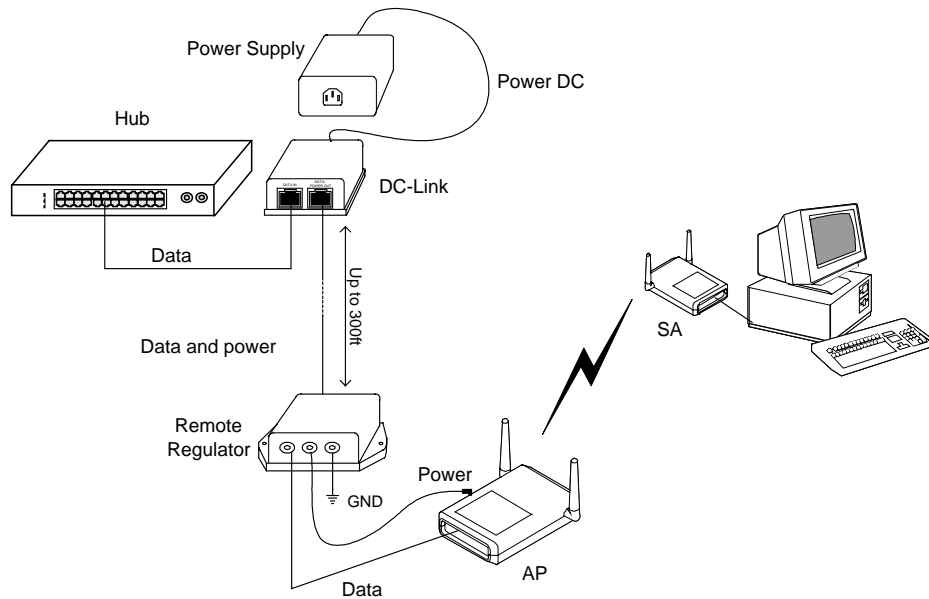
Single Remote Regulator:

A remote regulator with single power output of 5V for use with the BreezeNET product family and BreezeACCESS data only units.

Dual Remote Regulator:

A remote regulator with 5V and 12V power outputs. The 12V output is for use with BreezeACCESS SU-A/E and AU-A/E modules. The 5V output is not currently utilized and should be covered with the red cap provided.

The layout of the basic application of a PI-CAT5 power inserter is displayed in the diagram below.



Product	Power	PI-CAT5 Remote Regulator
BreezeACCESS (XL, II, MMDS)		
AU-I/ID	5V/1.5A	Single Regulator
AU-E/A-NI	12V/2.5A	Dual Regulator
SU-I/ID	5V/1.5A	Single Regulator
SU-I/ID Date +Voice	5V/5A	N/A
SU-E/A	12V/2.5A	Dual Regulator
BreezeNET		
BreezeNET Pro-11	5V 1.5A	Single Regulator
BreezeNET DS-11	5V 1.5A	Single Regulator

Ordering Information

The specifications applicable to BreezeCOM products power requirements are described in the previous table.

Part Number	Product Name	Description
872446	PI-CAT5 Single regulator	Category 5 Power Inserter single regulator
872447	PI-CAT5 Dual regulator	Category 5 Power Inserter Dual regulator

Related Documentation

- PI-CAT5 Installation Manual, Cat. No. 213191