

### Solar Panel Mounts

#### Features

- Simple, Low Cost Design
- Flexible Side of Pole Mounting (2" to 4.5" dia. pole)
- Heavy Duty Aluminum and stainless steel components for long life
- Easy to Install - Reduced Installation time
- Quick tilt adjustment (15° to 65°)
- Certified for up to 110MPH Winds

#### Applications

- 10W to 120W Solar Panels
- Remote Power Systems

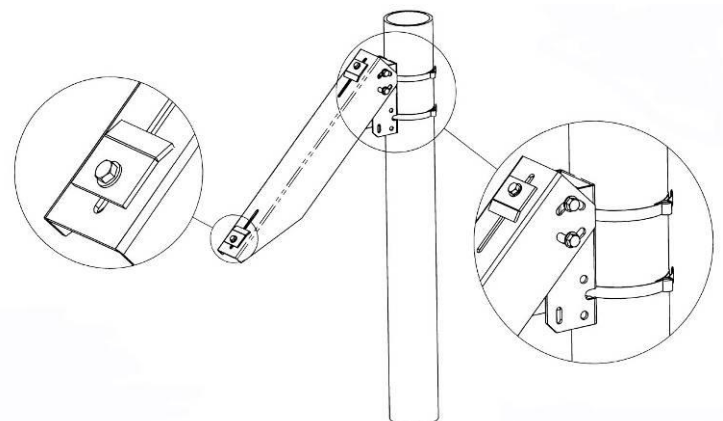
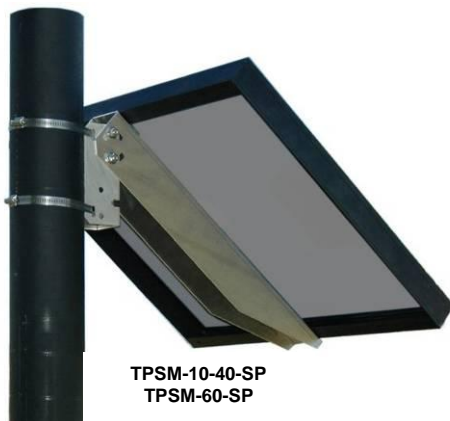


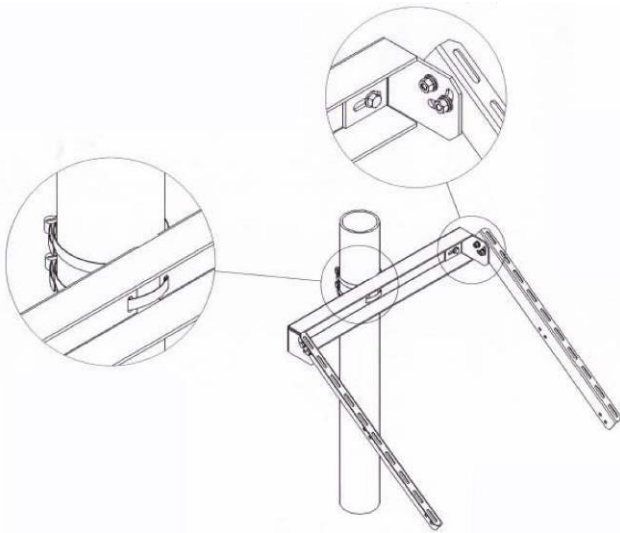
#### Description

The TPSM series of solar panel mounts are designed to be used with Tycon Power Systems solar panels but are flexible in their design and can be used with other manufacturers solar panels. The low cost simple designs reduces installation costs, saving the installer precious install time. The construction is heavy duty aluminum with all stainless steel hardware for very long service life in the most harsh conditions.

#### Specifications

	TPSM-10-40-SP	TPSM-60-SP	TPSM-120-SP	TPSM-120x2-SP
<i>MAX Solar Panel Width</i>	21.5"	26"	27"	55"
<i>Solar Panel Mounting Hole Distance +/-2"</i>	n/a	n/a	26.9"	26.9"
<i>Pole Diameter</i>	2" to 4.5"	2" to 4.5"	2" to 4.5"	2" to 4.5"
<i>Wind Speed Rating</i>	110MPH	110MPH	90MPH	90MPH
<i>Shipping Weight</i>	2.3kg (5lb)	2.7kg (6lb)	2.7kg (6lb)	6.8kg (15lb)

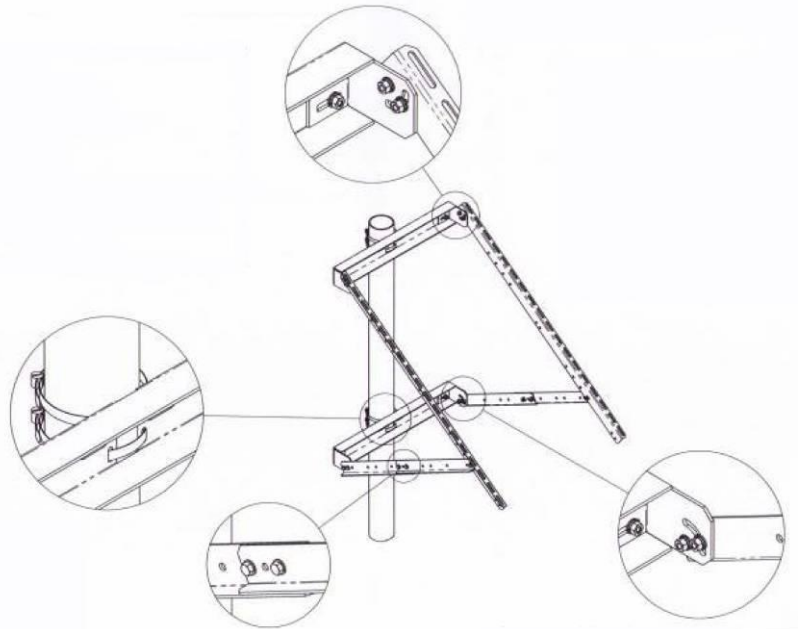




TPSM-120-SP



TPSM-120x2-SP



**Notes:**

- All shipments F.O.B. Draper, UT 84020
- Tycon Power Systems Solar Mounts carry a 2 year limited Warranty

## System Ordering:

- TPSM-10-40-SP** Side of pole mount for one 10W to 40W solar panel
- TPSM-60-SP** Side of pole mount for one 60W solar panel
- TPSM-120-SP** Side of pole mount for one 120W-130W solar panel
- TPSM-120x2-SP** Side of pole mount for two 120W-130W solar panels

## For further information contact:

[Tyconpower.com](http://Tyconpower.com)



693 Draper Heights Way Ste 102  
Draper, UT 84020  
PH: 801-432-0003  
FAX: 801-618-4220