

Data/Signal Surge Protection

Modular, Six Port, T1/E1 Surge Protection Device

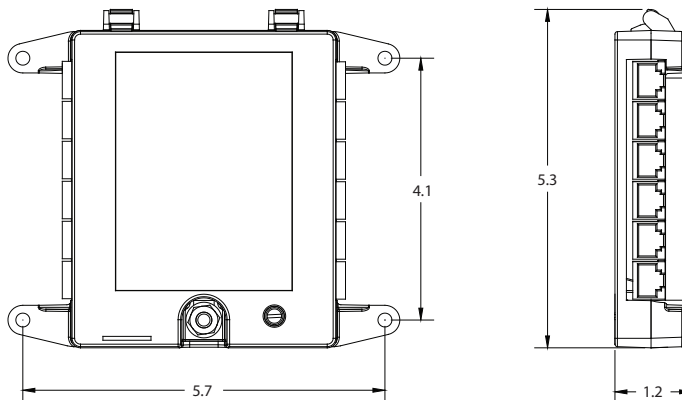


TSJ X6 A
1101-772-A

Six port, modular, RJ-48 (RJ-45 compatible), high performance silicon diode T1/E1 span surge protector

Features

- High density, small footprint high performance silicon avalanche diode circuit protection
- Easy Installation with external RJ-48 plug-ins
- Single ground connection, external 1/4-20 grounding stud



Part Number | 1101-772-A

Performance

Data Rate	1.54/2.048 Mb/s
Nominal Operating Voltage	3 Vpk
Maximum Continuous Operating Voltage	12 Vpk
Surge Suppression	<26 Vpk @ 100 A 10/1000 μ s
Surge Suppression Response Time	<5 ns

Mechanical

Connector	RJ-48 Cat5
Grounding	1/4-20 Ground Stud
Dimensions H x W x D	5.3" x 5.7" x 1.2" 13.5 cm x 14.5 cm x 3.0 cm
Weight	0.5 lbs 0.2 kg